

Price* : 75.00 GBP



Main

Range of product	Advantys ABE9
Product or component type	IP67 passive splitter box
Number of channels	8
Electrical connection	1 male connector M23 19 pins 8 female connectors M12 5 pins
Status LED	Without

Complementary

Number of ways	16 ways
[Ue] rated operational voltage	24 V DC
Current per channel	4 A
Insulation group	Category 3 conforming to VDE 0110
Operating position	Any position
Fixing mode	M4 screw fixing
Contact resistance	5000 µOhm
Current of common	16 A 1 mm ² 12 A 0.75 mm ²
Separation of commons	Without
Net weight	0.14 kg

Environment

IP degree of protection	IP67 conforming to IEC 529
Product certifications	CULus
Ambient air temperature for operation	-20...80 °C
Ambient air temperature for storage	-40...85 °C
Vibration resistance	0.2 gn (f= 57...150 Hz) conforming to IEC 68-2-6, FC tests
Shock resistance	30 gn for 11 ms conforming to EN 68-2-2 30 gn for 11 ms conforming to IEC 68-2-2

Offer Sustainability

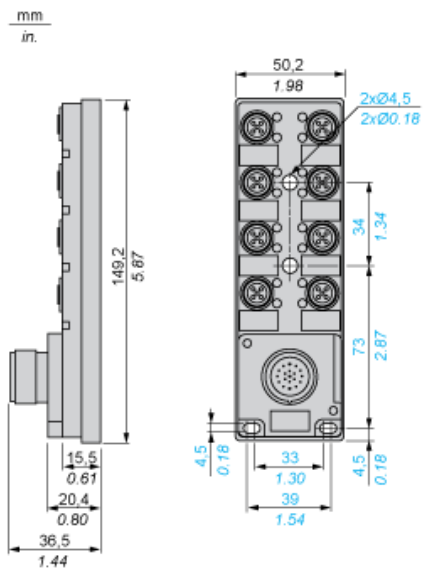
Sustainable offer status	Green Premium product
--------------------------	-----------------------

REACH Regulation	REACH Declaration
REACH free of SVHC	Yes
EU RoHS Directive	Pro-active compliance (Product out of EU RoHS legal scope) EU RoHS Declaration
Mercury free	Yes
RoHS exemption information	Yes
China RoHS Regulation	Download RoHS China Declaration
Environmental Disclosure	Product Environmental Profile
Circularity Profile	End of Life Information
WEEE	The product must be disposed on European Union markets following specific waste collection and never end up in rubbish bins

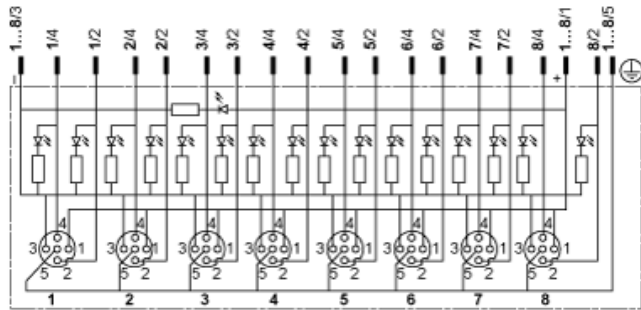
Contractual warranty

Warranty	18 months
----------	-----------

Dimensions



Wiring Diagram



Item	M23 connector contact
1/4	15
1/2	7
2/4	5
2/2	4
3/4	16
3/2	8
4/4	3
4/2	14
5/4	17
5/2	9
6/4	2
6/2	13
7/4	11
7/2	10
8/4	1
8/2	18
1, 3, 5 & 7/1	19
2, 4, 6 & 8/1	19
1, 3, 5 & 7/3	6
2, 4, 6 & 8/3	6
1...8/5	12

M23 Connector

