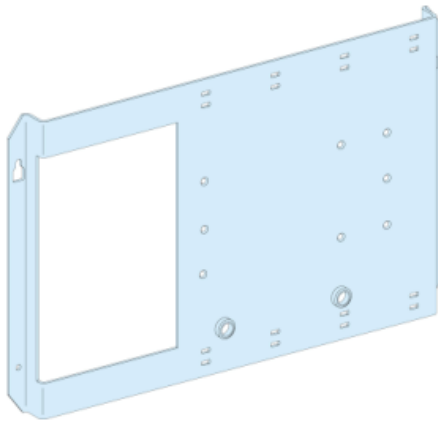




Price\* : 36.86 GBP



### Main

Range	Prisma
Range compatibility	Prisma G
Product or component type	Mounting plate
Accessory / separate part category	Installation accessory
Installed device	<p>Easypact: fixed CVS400 without earth leakage protection - control: toggle - horizontal installation</p> <p>Easypact: fixed CVS630 without earth leakage protection - control: toggle - horizontal installation</p> <p>Easypact: fixed EZC400 - control: toggle - horizontal installation</p> <p>Easypact: fixed EZC630 - control: toggle - horizontal installation</p> <p>Compact: fixed INS320...400 - control: direct front rotary handle - horizontal installation</p> <p>Compact: fixed INS500...630 - control: direct front rotary handle - horizontal installation</p> <p>Compact: fixed INV320...400 - control: direct front rotary handle - horizontal installation</p> <p>Compact: fixed INV500...630 - control: direct front rotary handle - horizontal installation</p> <p>Compact: fixed NSX400 without earth leakage protection - control: toggle - horizontal installation</p> <p>Compact: fixed NSX630 without earth leakage protection - control: toggle - horizontal installation</p>
Poles description	<p>1 x 3P: fixed CVS400 horizontal installation</p> <p>1 x 4P: fixed CVS400 horizontal installation</p> <p>1 x 3P: fixed CVS630 horizontal installation</p> <p>1 x 4P: fixed CVS630 horizontal installation</p> <p>1 x 3P: fixed EZC400 horizontal installation</p> <p>1 x 4P: fixed EZC400 horizontal installation</p> <p>1 x 3P: fixed EZC630 horizontal installation</p> <p>1 x 4P: fixed EZC630 horizontal installation</p> <p>1 x 3P: fixed INS320...400 horizontal installation</p> <p>1 x 4P: fixed INS320...400 horizontal installation</p> <p>1 x 3P: fixed INS500...630 horizontal installation</p> <p>1 x 4P: fixed INS500...630 horizontal installation</p> <p>1 x 3P: fixed INV320...400 horizontal installation</p> <p>1 x 4P: fixed INV320...400 horizontal installation</p> <p>1 x 3P: fixed INV500...630 horizontal installation</p> <p>1 x 4P: fixed INV500...630 horizontal installation</p> <p>1 x 3P: fixed NSX400 horizontal installation</p> <p>1 x 4P: fixed NSX400 horizontal installation</p> <p>1 x 3P: fixed NSX630 horizontal installation</p> <p>1 x 4P: fixed NSX630 horizontal installation</p>

Disclaimer: This documentation is not intended as a substitute for and is not to be used for determining suitability or reliability of these products for specific user applications



6 module(s): INV320...400, direct with long terminal shield in 600 + 300 mm Widefloor-standing enclosure + duct (cable coming from bottom of enclosure)

6 module(s): INV320...400, direct with long terminal shield in 600 + 300 mm Widewall-mounted enclosure + duct (cable coming from bottom of enclosure)

9 module(s): INV320...400, direct with long terminal shield in 850 mm Widefloor-standing enclosure (cable coming from top of enclosure)

6 module(s): INV320...400, direct with long terminal shield in 850 mm Widefloor-standing enclosure (cable coming from bottom of enclosure)

9 module(s): INV500...630, direct with long terminal shield in 600 + 300 mm Widefloor-standing enclosure + duct (cable coming from top of enclosure)

9 module(s): INV500...630, direct with long terminal shield in 600 + 300 mm Widewall-mounted enclosure + duct (cable coming from top of enclosure)

6 module(s): INV500...630, direct with long terminal shield in 600 + 300 mm Widefloor-standing enclosure + duct (cable coming from bottom of enclosure)

6 module(s): INV500...630, direct with long terminal shield in 600 + 300 mm Widewall-mounted enclosure + duct (cable coming from bottom of enclosure)

9 module(s): INV500...630, direct with long terminal shield in 850 mm Widefloor-standing enclosure (cable coming from top of enclosure)

6 module(s): INV500...630, direct with long terminal shield in 850 mm Widefloor-standing enclosure (cable coming from bottom of enclosure)

9 module(s): NSX400 without earth leakage protection , connection block in 850 mm Widefloor-standing enclosure (cable coming from top of enclosure)

6 module(s): NSX400 without earth leakage protection , connection block in 850 mm Widefloor-standing enclosure (cable coming from bottom of enclosure)

9 module(s): NSX400 without earth leakage protection , connection block in 600 + 300 mm Widefloor-standing enclosure + duct (cable coming from top of enclosure)

9 module(s): NSX400 without earth leakage protection , connection block in 600 + 300 mm Widewall-mounted enclosure + duct (cable coming from top of enclosure)

6 module(s): NSX400 without earth leakage protection , connection block in 600 + 300 mm Widefloor-standing enclosure + duct (cable coming from bottom of enclosure)

6 module(s): NSX400 without earth leakage protection , connection block in 600 + 300 mm Widewall-mounted enclosure + duct (cable coming from bottom of enclosure)

9 module(s): NSX400 without earth leakage protection , direct with long terminal shield in 600 + 300 mm Widefloor-standing enclosure + duct (cable coming from top of enclosure)

9 module(s): NSX400 without earth leakage protection , direct with long terminal shield in 600 + 300 mm Widewall-mounted enclosure + duct (cable coming from top of enclosure)

6 module(s): NSX400 without earth leakage protection , direct with long terminal shield in 600 + 300 mm Widefloor-standing enclosure + duct (cable coming from bottom of enclosure)

6 module(s): NSX400 without earth leakage protection , direct with long terminal shield in 600 + 300 mm Widewall-mounted enclosure + duct (cable coming from bottom of enclosure)

9 module(s): NSX400 without earth leakage protection , direct with long terminal shield in 850 mm Widefloor-standing enclosure (cable coming from top of enclosure)

6 module(s): NSX400 without earth leakage protection , direct with long terminal shield in 850 mm Widefloor-standing enclosure (cable coming from bottom of enclosure)

9 module(s): NSX630 without earth leakage protection , connection block in 850 mm Widefloor-standing enclosure (cable coming from top of enclosure)

6 module(s): NSX630 without earth leakage protection , connection block in 850 mm Widefloor-standing enclosure (cable coming from bottom of enclosure)

9 module(s): NSX630 without earth leakage protection , connection block in 600 + 300 mm Widefloor-standing enclosure + duct (cable coming from top of enclosure)

9 module(s): NSX630 without earth leakage protection , connection block in 600 + 300 mm Widewall-mounted enclosure + duct (cable coming from top of enclosure)

6 module(s): NSX630 without earth leakage protection , connection block in 600 + 300 mm Widefloor-standing enclosure + duct (cable coming from bottom of enclosure)

6 module(s): NSX630 without earth leakage protection , connection block in 600 + 300 mm Widewall-mounted enclosure + duct (cable coming from bottom of enclosure)

9 module(s): NSX630 without earth leakage protection , direct with long terminal shield in 600 + 300 mm Widefloor-standing enclosure + duct (cable coming from top of enclosure)

9 module(s): NSX630 without earth leakage protection , direct with long terminal shield in 600 + 300 mm Widewall-mounted enclosure + duct (cable coming from top of enclosure)

6 module(s): NSX630 without earth leakage protection , direct with long terminal shield in 600 + 300 mm Widefloor-standing enclosure + duct (cable coming from bottom of enclosure)

6 module(s): NSX630 without earth leakage protection , direct with long terminal shield in 600 + 300 mm Widewall-mounted enclosure + duct (cable coming from bottom of enclosure)

9 module(s): NSX630 without earth leakage protection , direct with long terminal shield in 850 mm Widefloor-standing enclosure (cable coming from top of enclosure)

6 module(s): NSX630 without earth leakage protection , direct with long terminal shield in 850 mm Widefloor-standing enclosure (cable coming from bottom of enclosure)

Condition of using cable tie	Need additional plate (2M high) when installation of device is in horizontal
Height	250 mm
Width	600 mm
Product weight	2.24 kg
Surface finish	Smooth Matt

Protective treatment	Electrophoresis treatment and hot-polymerised polyester epoxy powder
Colour	White (RAL 9001)

## Environment

Standards	IEC 61439-2
Product certifications	ASEFA

## Offer Sustainability

Sustainable offer status	Green Premium product
REACH Regulation	<a href="#">REACH Declaration</a>
REACH free of SVHC	Yes
EU RoHS Directive	Pro-active compliance (Product out of EU RoHS legal scope) <a href="#">EU RoHS Declaration</a>
Toxic heavy metal free	Yes
Mercury free	Yes
RoHS exemption information	<a href="#">Yes</a>
China RoHS Regulation	<a href="#">Download RoHS China Declaration</a>
Environmental Disclosure	<a href="#">Product Environmental Profile</a>
Circularity Profile	No need of specific recycling operations

## Contractual warranty

Warranty	18 months
----------	-----------