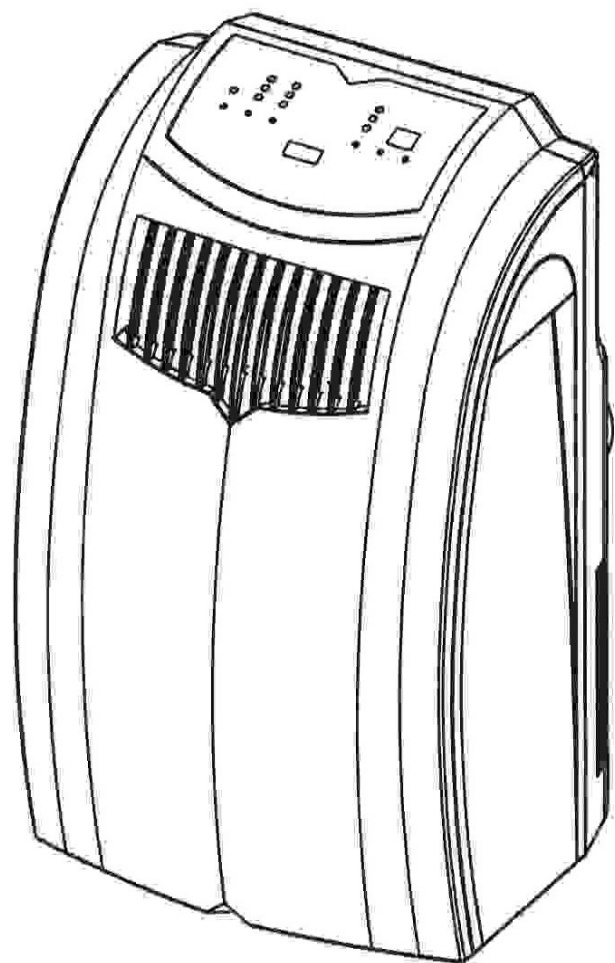


USER INSTRUCTIONS FOR GET
PORTABLE 8k BTU AIR CONDITIONERS
MODEL No's. GPACU8 and GPACU8S



CONTENTS

Introduction
Safety Notes
Identification of parts
Installation instructions
Operation instructions
Troubleshooting
Maintenance
Energy saving tips
Specification

Introduction

Thank you for choosing this portable air conditioner to provide you and your family with all of the “Home Comfort” requirements for your home, or office. The appliance can be moved from room to room within your home and set-up in just minutes.

It is a multi-functional room air exchanging, air-processing appliance, designed to offer you the functions of: Air Conditioning, Dehumidifying and Independent Fan control.

This manual will provide you with valuable information necessary for the proper care and maintenance for your new appliance. Read these instructions fully before operating the unit and retain them for future reference. If properly maintained your appliance will give you many years of trouble free operation.

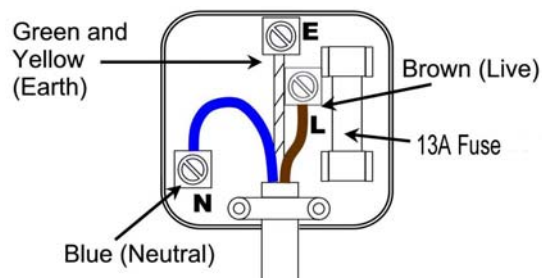
SAFETY NOTES

1. Do not connect to any AC socket outlet that is damaged.
2. Do not use in the following locations:-
 - Next to a source of fire.
 - An area where oil is likely to splash.
 - An area exposed to direct sunlight.
 - An area where water is likely to splash
 - Near a bath, shower or a swimming pool
 - In a greenhouse
3. Never insert your finger or any foreign objects into the air outlet or any other opening on the machine. Take special care to warn children of these dangers.
4. Always store the unit upright in order to maintain the compressor in a proper working condition. If not, leave the unit upright for at least 24 hours before operating.
5. Always unplug the unit before cleaning.
6. Do not cover the unit.
7. Do not place the back of the unit closer than 10cm from a wall.
8. Do not place the unit close to curtains or drapes in case they fall against the unit and block the rear intake.
9. If the supply cord of this appliance becomes damaged, it must be replaced by a qualified engineer.
10. This appliance is fitted with an approved BS 1363 13A 3 pin plug and a 13A BS 1362 fuse. In the event of either requiring replacement ensure that equivalent rated and approved components are used. See plug replacement details below.
11. **IMPORTANT:** If this unit is sited in a room containing a fuel burning appliance, the installer must ensure that the air replacement is sufficient for both the unit used as an air conditioner and the fuel burning appliance

PLUG REPLACEMENT

If the plug is damaged and requires replacement, follow the wiring instructions supplied with the new plug.

1. The green and yellow wire must be connected to the terminal marked with the letter E or the earth symbol.
2. The blue wire must be connected to the terminal marked with the letter N.
3. The brown wire must be connected to the terminal marked with the letter L.
4. A 13 amp plug to BS 1363 must be fitted with a 13 Amp fuse to BS 1362.



For your safety and protection, this unit is earthed through the power cord plug when plugged into a matching earthed wall socket. If you are not sure whether the wall sockets in your home are properly earthed, consult a qualified electrician. Do not use plug adaptors or extension cords with this unit.

Warning

In order to ensure the long, reliable and safe functioning of the air conditioner, the following safety points should be observed.

Do not wet the housing or control panel.



Do not cover the air outlet while in use.



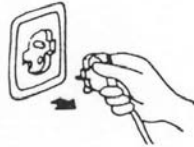
Do not allow children to play with the controls or drop any objects into the air outlet.



Do not place objects or let any person sit on top of the unit.



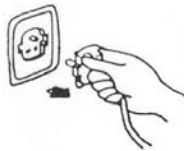
Always turn the unit off and remove the power plug from the socket when cleaning.



Do not attempt to remove any part of the casing unless by a Authorized technician.



Remove the plug from the socket if the unit is not being used for long period.



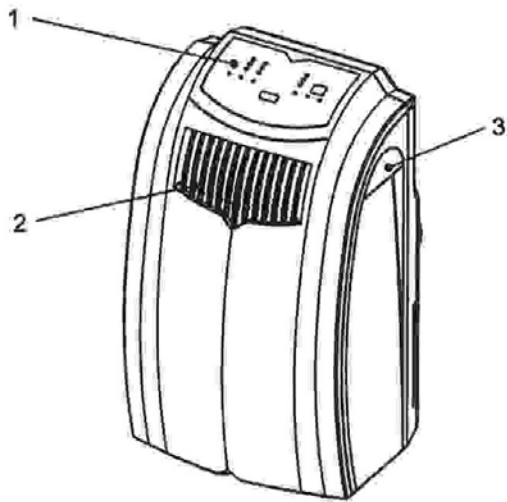
Use only the correct power supply AC220V-240V/50Hz



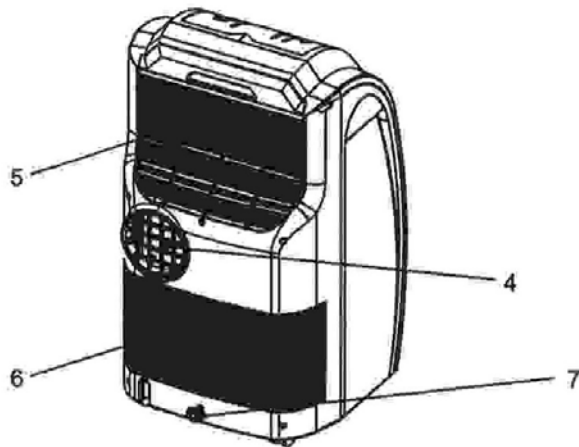
Do not operate the unit with damaged plug or loose socket point.



Identification of Parts

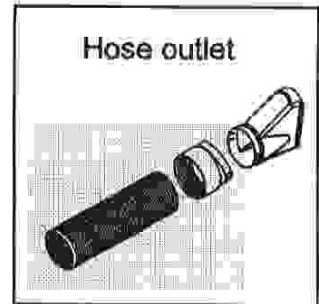
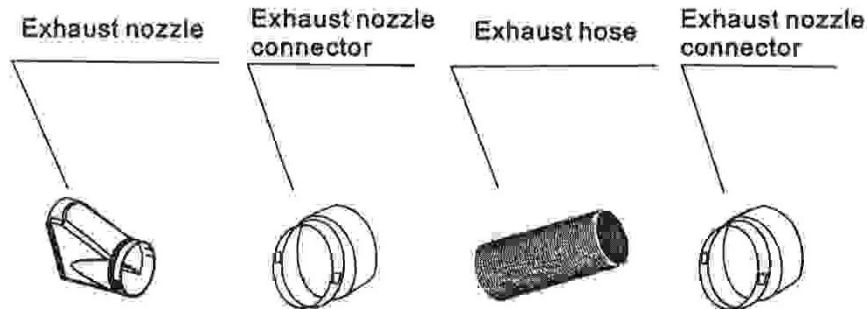


- 1. Control panel
- 2. Air outlet
- 3. Handle
- 4. Air outlet (Heat exchange)
- 5. Air intake (Evaporator)
- 6. Air Intake (Condenser)
- 7. Water outlet drain



Installation

Items Supplied in Exhaust Hose Fitting Kit.



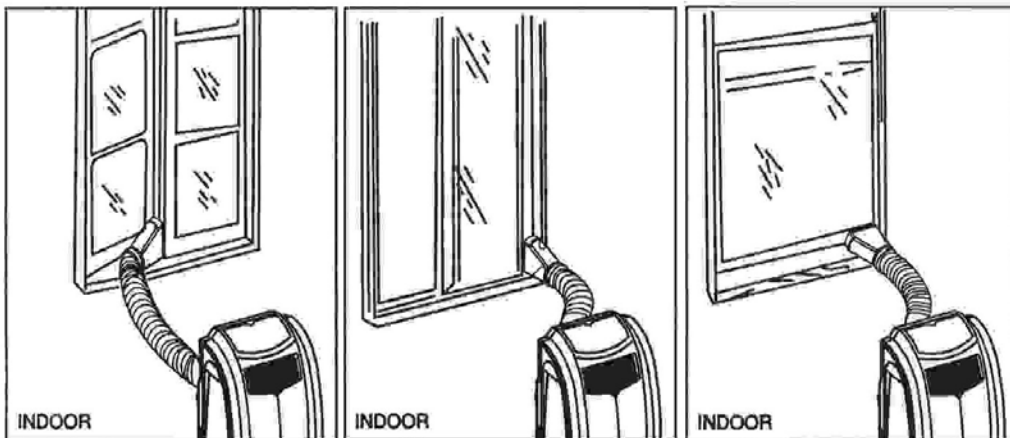
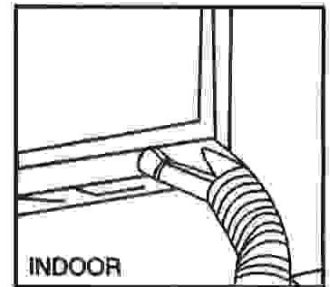
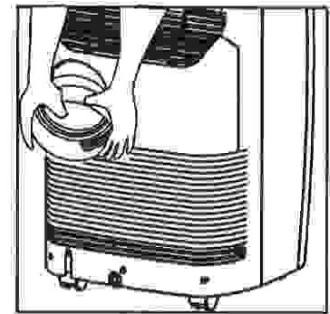
Assembly of the Exhaust Hose

The exhaust hose is assembled by fitting the exhaust nozzle connectors to each end of the hose. This is done by screwing the nozzle connectors onto the ends of the hose by rotating them in a clockwise direction.

One end of the hose with the connectors fitted is then connected to the exhaust outlet at the back of the machine. Care should be taken to ensure that the two rectangular cut-outs in the connector are located over the two moulded fingers positioned on the diameter of the machine outlet. The connector can be removed from the machine by rotating it slightly and pulling it away from the machine at the same time.

The exhaust nozzle should be fitted to the connector on the free end of the hose and again care should be taken to ensure that the two rectangular cut-outs in the connector are located over the two moulded fingers on the nozzle.

The hose should then be extended and the exhaust nozzle placed in an open window to vent any warm or moist air extracted from the room, to the outside. The window should be closed as far as possible to trap the nozzle as shown below.

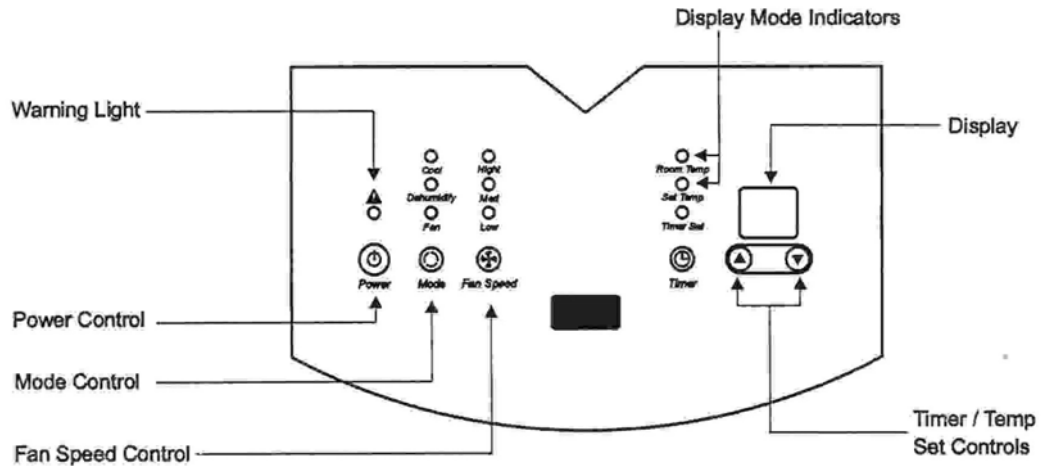


Select a suitable location for the unit

- The unit should be positioned beside a window or door to allow the vent hose to reach outside the room.
- The air intake should be a minimum distance of 10cm from any object.
- Do not install the unit underneath desks or inside cupboards as this will restrict the operating air flow.
- Ensure that there are no obstructions to the air intake or air outlet.
- Ensure that the air intake is not being blocked by curtains, or similar objects.
- The end of the vent hose should not be blocked by a shutter or similar device.
- When fitting the vent hose it should be kept as straight as possible.

Operation

CONTROL PANEL



CONTROLS

Power Control

The power control turns the unit on and off.

When the plug is first plugged into a socket the machine will beep and go into stand-by mode. Pressing the "Power" button will turn the machine on. Pressing the "Power" button again will put the machine back into stand-by mode.

Note:- After switching the unit off, wait 3 minutes before switching it on again.

Warning Light

This warning light will illuminate (Red) when the water tank within the machine is full and the machine will stop. If after draining the tank, the warning light remains on, this could indicate that there may be a fault with the machine. If this is the case, do not attempt to operate the machine and call the service number.

Mode Control

The mode control has three settings Cool Dehumidifier Fan

Repeated pressing of the mode button will select the modes in order as follows:-

Cool Mode - LED next to the "COOL" legend will illuminate green.

Dehumidifier Mode - LED next to DEHUMIDIFIER legend will illuminate orange.

Fan Mode - LED next to FAN legend will illuminate yellow.

Note:- In Cool and Fan mode, the fan speed can be set to High, Medium and Low. When Dehumidifier mode is selected the fan speed is automatically set to Medium and cannot be altered from this setting.

Cool Mode

In this mode the air is cooled and hot air is exhausted through the vent hose to outside the room. Fan speed and temperature can be adjusted to suit the comfort level required.

Dehumidifier Mode

Air is dehumidified as it passes through the air conditioner and the damp warm air should be exhausted by means of the vent hose to outside of the room.

Fan Mode

Air is cooled and circulated throughout the room. Note:- It is not necessary for the vent hose to exhaust outside the room.

Fan Speed

The fan speed can be set to high, medium or low. Note:- In dehumidifier mode, only Medium fan speed is available.

Timer

Press the Timer button to set the timer. The green LED next to the ON/OFF legend will flash on and off for 15 seconds.

While the green LED is flashing, press the timer/temp adjust buttons (▲▼) to select the time (in hours, between 00 and 12)) for either of the timer modes “a” or “b” as detailed below. The time selected is shown on the display panel. After the 15 seconds the display will revert to showing the room temperature.

If no time has been selected the timer will be off and the green LED will not be illuminated.

Timer mode a) Auto Turn Off:- With the machine on and running press Timer and then the Timer/Temp Adjust buttons (▲▼) to select the number of hours you would like the unit to run until it automatically shuts off. The green timer LED will remain lit.

Timer mode b) Auto Turn On:- Switch the machine on using the Power button so that the machine is running and the desired mode is selected. Press the Power button again to put the machine into stand-by mode. With the machine in stand-by mode, press the Timer button and then press the Timer/Temp Adjust buttons (▲▼) to select the number of hours until it is required for the machine to start up automatically. The green timer LED will continue to flash and the display will show the time set.

Timer/Temperature Adjust buttons (▲▼)

In Cooling or Dehumidifying mode, the temperature can be manually set by pressing the Timer/Temp Adjust buttons (▲▼) between the limits of 16° to 32°C as shown in the display panel. This cannot be done in Fan mode. The default setting is room temperature. After 15 seconds the display will revert back to room temperature. Note:- By pressing both the Timer/Temp Adjust buttons (▲▼) at the same time for 3 to 5 seconds, the display will toggle between Celsius and Fahrenheit

IMPORTANT

When the appliance is in Cool or Dehumidifier mode, most moisture will be vented out through the vent pipe. However, in certain circumstances some condensation may collect in the water tank at the bottom of the chassis. When this tank is full, the “water full” indicator (▲) will illuminate (red) and the appliance will stop running. The appliance should then be unplugged from the supply socket and the rubber plug in drain port at the lower rear of the machine should be pulled out to drain the water into a suitable container. Alternatively, move the appliance to a suitable place to drain the water.

Note: When the water full light (▲) is on, the water should be drained out. If the water is not drained out, the appliance will not operate.

Trouble shooting

• A majority of malfunctions are minute, and triggered by problems that can easily be resolved; before calling for service, please refer to the following table for sequential inspection.

PROBLEMS	REASONS	SOLUTIONS
Air conditioner stops operating.	<ul style="list-style-type: none"> • Power has been cut off. • The plug has not been plugged in properly. • The Full-tank indicator is ON-Tank is full. 	<ul style="list-style-type: none"> • Wait for power to be supplied again. • Plug in again. • Drain the water tank.
Air conditioner suddenly stops during operation.	<ul style="list-style-type: none"> • The indoor temperature has reached the set temperature level. • The preset time has elapsed. • The Full-tank indicator is ON-Tank is full. 	<ul style="list-style-type: none"> • Reset the temperature level. • Reset the timer. • Drain the water tank.
Air conditioner runs intermittently.	<ul style="list-style-type: none"> • Malfunction. • Surrounding temperature is too high or too low. • Heat exhaust hose is blocked. 	<ul style="list-style-type: none"> • Contact the service centre. • Check the hose.
Air conditioner functions but the room is not cooled.	<ul style="list-style-type: none"> • Window or door is left open in the room. • There is heat source in the room or too many people in it. • Filter is too dirty. • Temperature settings are too high. 	<ul style="list-style-type: none"> • Close all windows and doors. • Move out any heat source in the room. • Clean the filter. • Lower the temperature setting.
Condensed water is spilled out when moving the unit.	<ul style="list-style-type: none"> • The tank is nearly full. 	<ul style="list-style-type: none"> • Remove the water-draining plug on the rear bottom of the unit. Drain the water tank.

Maintenance

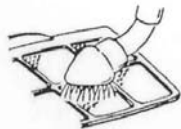
Periodic cleaning and maintenance may maximize the air condition's functions and at an optimal condition. Prior to cleaning and maintenance. Please make sure to remove the plug from power socket to ensure safety.

Filter cleaning Check once a week

The air filter should be cleaned periodically. The intervals between cleaning will depend on the amount of airborne dust in the area in which the unit is used.

The air filter is removed by sliding it vertically upwards from out of the back of the unit.

Use a vacuum or brush to remove fluff/dust from the filter.



Wash the filter by immersing it gently in warm water (about 40°C) with a neutral (or mild) detergent.



Rinse the filter and allow to dry.

Replace the filter by sliding it down into the back of the unit

Maintenance on the front panel and housing

Do not use chemicals or solvents for cleaning the unit.



Use a damp cloth for cleaning. You may use mild detergent to remove stubborn stains.



Storing the Unit

If the appliance will not be used for a long time, it is important to pull out the rubber plug from the drain port at the lower rear of the machine, in order to drain the water.

Clean the air filter and reinstall it.

Remove the air hose and keep it in a safe place.

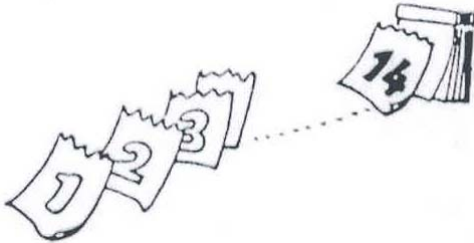
Cover the unit and store in a dry place.

Energy-Saving Tip

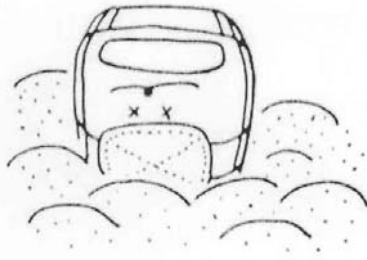
Periodic cleaning, maintenance and proper use may not only maximize the air conditioner's functions, but also can avoid increasing unnecessary expense.

Clean the filter periodically

- When using it in normal conditions, clean the filter at least once every two weeks



- If you are using the unit in an area with excessive dust/fluff make sure you check and clean the filter each week



- If the filter is not kept clean it can increase your power consumption and reduce the cooling efficiency



Take note of the following points

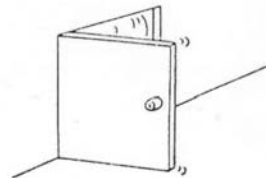
- Avoid direct sun light on the unit through a window.



- Maintain proper ventilation around the unit.



- Avoid opening doors and windows as much as possible.



- Avoid excess number of people in the room



Specification

The figures below are for reference only and are based on practical operation
Performance may vary slightly depending on environmental conditions.

Description of product	Portable Air Conditioner
Model	GPACU8 and GPACU8S
Voltage/Frequency	AC 220-240/50Hz
Input Power	950W
Operating cycle	4.3A
Cooling capacity	8000 B.T.U./Hr
	2.3kW
Dehumidifying capacity	1.8 L/hour
Coolant	R-407C
Timer	12 hour
Air flow volume	300 m ³ /hour
Dimensions (in cms). (W) X (H) X (D)	43.5 X 77.0 X 43.0
Weight (N.W.)	30kgs



NOTE:-

Waste electrical products or products containing refrigerants should not be disposed of with household waste.

Please recycle where facilities exist. Check with your local authority or retailer for recycling advice.



GET Plc, Key Point, 3-17, High Street, Potters Bar, Herts EN6 5AJ

Helpline Telephone no. 0121 565 7770

AR0848 Ed.B